

# Lune valley Long Hive

Steel Cover  
(galvanised)

Lid

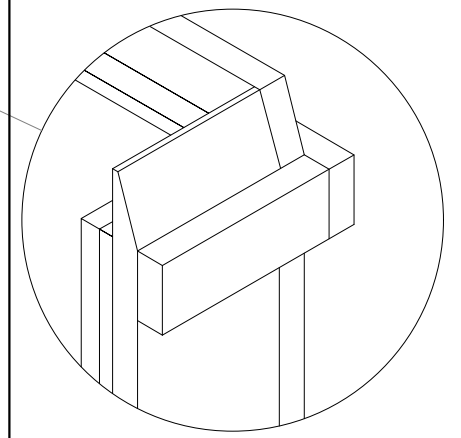
Crown Board

Hive Body

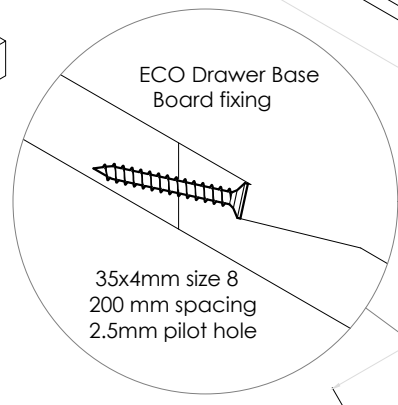
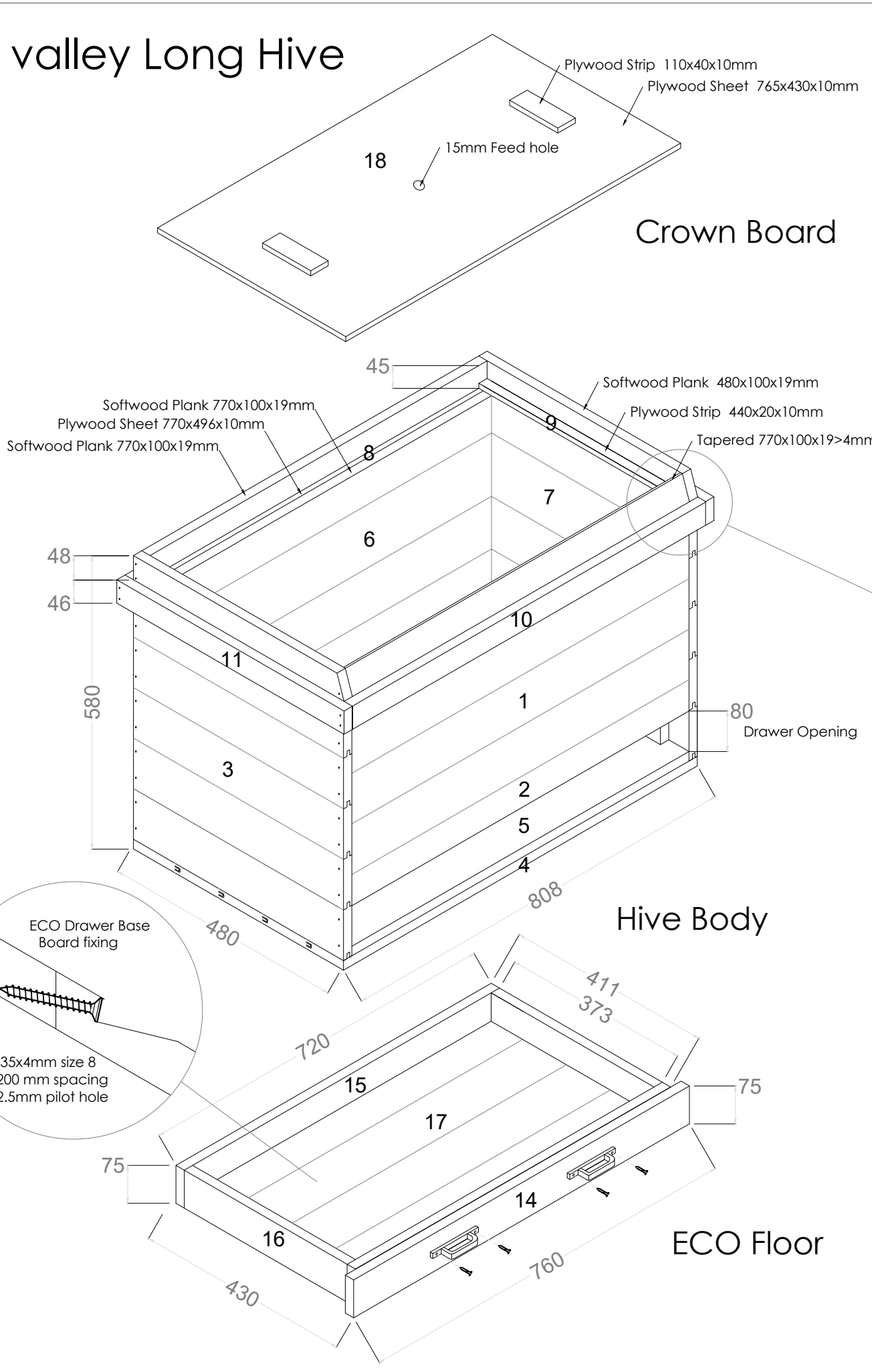
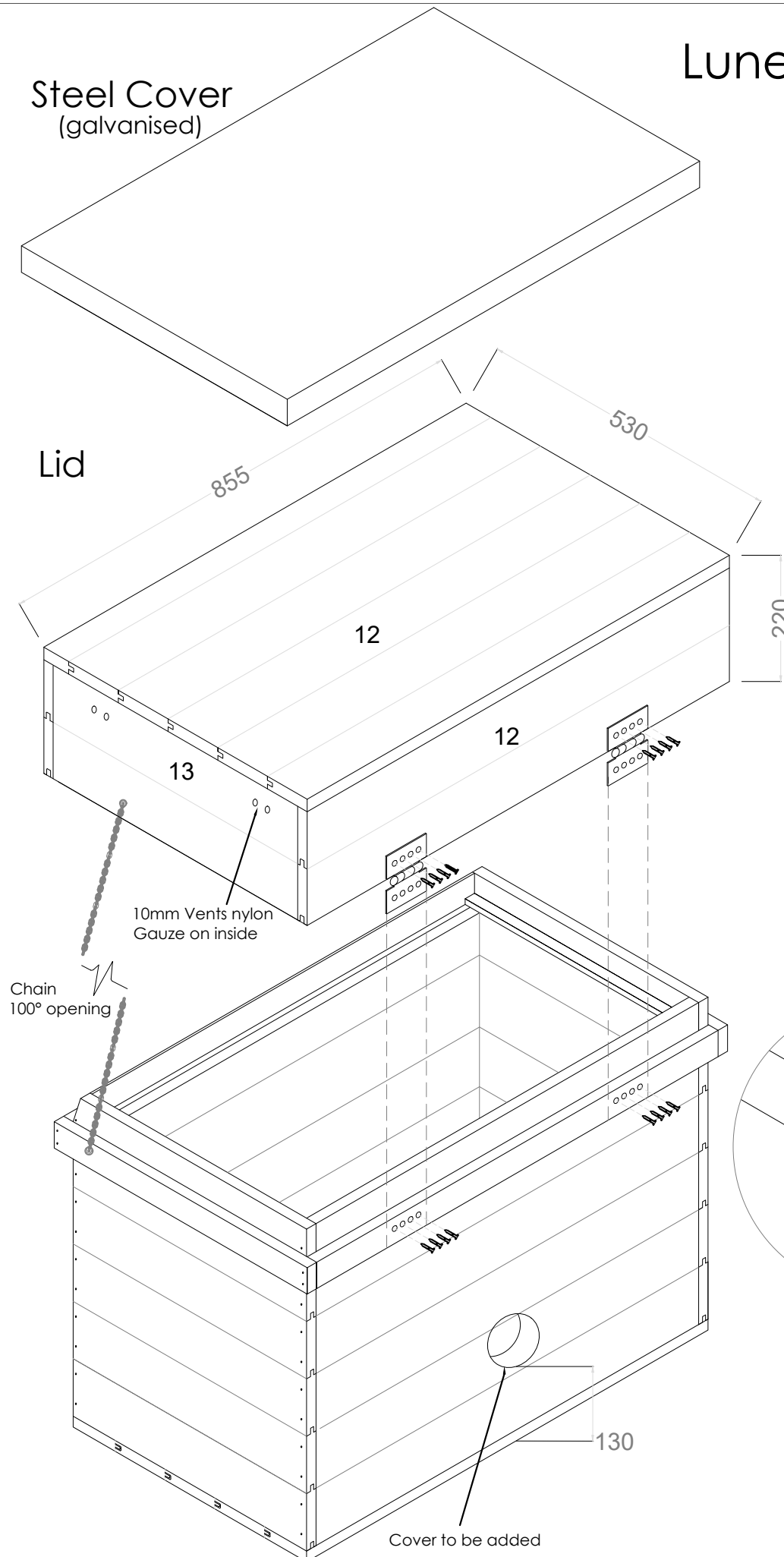
ECO Floor

- 1- Side - 10no. tongue & groove 770x100x19mm
- 2 Side - 1no. tongue & groove 770x60x19mm
- 3 End - 12no. tongue & groove 480x100x19mm
- 4 Bottom - 5no. tongue & groove 808x100x19mm
- 5 Bottom - 5no. tongue & groove 770x100x19mm
- 6 Side - 10no. tongue & groove 770x100x19mm
- 7 End - 10no. tongue & groove 384x100x19mm
- 8 Side - 2no. Plywood Sheet 770x456x10mm
- 9 End - 2no. Plywood Strips 440x20x10mm
- 10 Side - 2no. Timber Batten 845x46x19mm
- 11 End - 2no. Timber Batten 510x46x19mm
- 12 Lid - 10no. tongue & groove 855x100x19mm
- 13 Lid - 4no. tongue & groove 492x100x19mm
- 14 Drawer - 1no. Softwood Plank 760x75x19mm
- 15 Drawer - 2no. Softwood Plank 720x75x19mm
- 16 Drawer - 2no. Softwood Plank 373x75x19mm
- 17 Drawer - 1no. Softwood Plank 682x100x19mm
- 18 Cover - 1no. Plywood sheet 765x430x10mm

Please check all sizes  
Variations in timber sizes & humidity  
make dimensions approximate.



Eco Floor Base boards are screwed together with the screws inserted diagonally along the board length and to such a depth that the screw heads do not protrude



Front View

Rear View

Not suitable for use in direct ground contact

Rev.	Description	By	Date
Client :	Lune Valley Community Beekeepers		
Type :	Bee Hive Diagrammatic		
Site :	n/a		
Title :	Lune valley Long Hive		
Ref. No. :	1131	Designed By :	rd
Scale :	1:10@A3	Revision :	-.
Date :	06.10.20	Sheet :	1 of 1